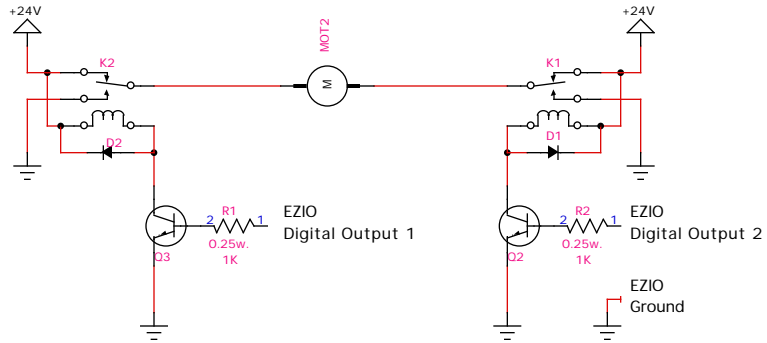


Motor Reversing with Relay H-Bridge
hold when stopped



Motor reversing
with separate switches for power and direction
freewheel when stopped

